

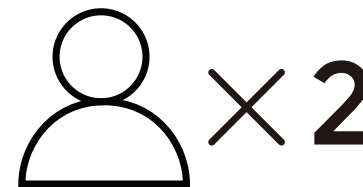
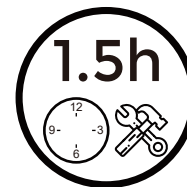
CHICKEN CAGE

CONSTRUCTION WARNING

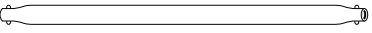




MUST BE FOLLOWED TO AVOID DAMAGE WHEN USING THE OUTDOOR COVERS.

Because of the round roof the wire mesh must be pulled as tightly as possible across the top and secured around the top edge with cable ties. This will stop any 'give' in the mesh and stop water building up on the cover which may cause damage to the cover or supporting poles.







Where the mesh overlaps this should also be fixed together at the tightest point with cable ties to stop water being able to build up.



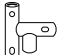
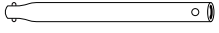
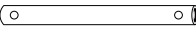

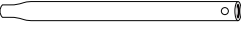
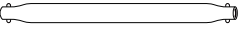
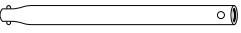
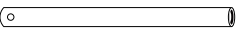
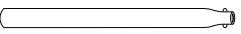
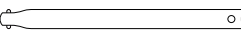
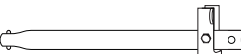
Part List

PART LIST	DIMENSION	PICTURE	QUANTITY	
			3x2.5x2	3x5x2
①	1410mm		2	2
②	1165mm		8	16
③	1075mm		6	10
④	1150mm		6	10
⑤	1150mm		3	5
⑥	1215mm		2	4
⑦	995mm		2	2
⑧	780mm		1	1






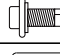
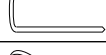



Part List of Fastenings

PART LIST	DIMENSION	PICTURE	QUANTITY	
			3x2.5x2	3x5x2
A			4	4
B			3	7
C			1	1
D			1	1
E			4	4
F			2	6

Part List For Door

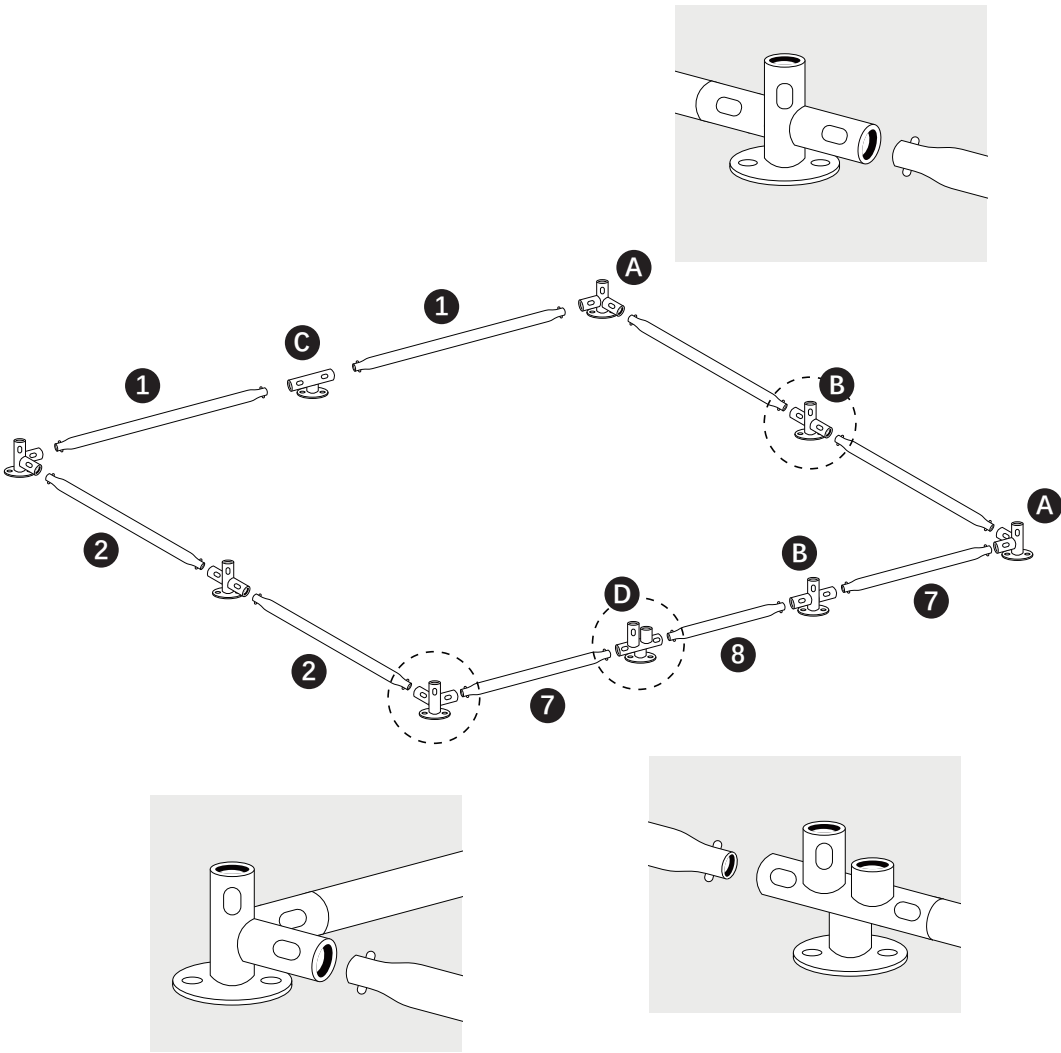
PART LIST	DIMENSION	PICTURE	QUANTITY	
			3x2.5x2	3x5x2
D1			1	1
D2	800mm		1	1
D3	760mm		2	2
D4U	925mm		1	1
D4D	925mm		1	1
D5U	910mm		1	1
D5D	910mm		1	1
D6U	910mm		1	1
D6D	910mm		1	1
D7U	910mm		1	1
D7D	910mm		1	1

Others

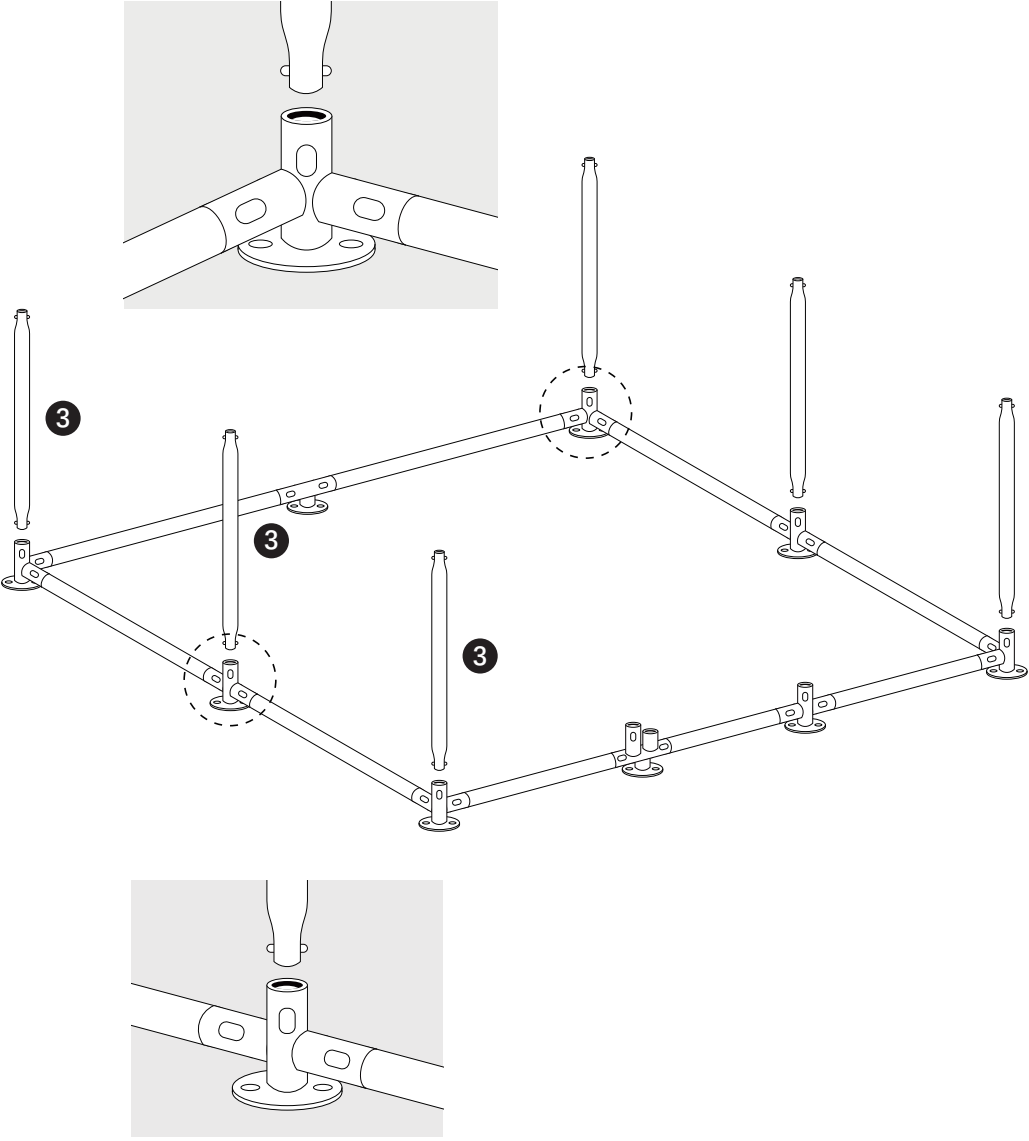
PART LIST	DIMENSION	PICTURE	QUANTITY	
			3x2.5x2	3x5x2
G			1.2x24m	1.2x40m
H			14	14
I			2	2
J	Roof		1	1
K			11	15
L			20	24
M			9	13
N			2 bags	4 bags
O			14	14
P			2	6

SET UP AS BELOW ILLUSTRATION - 3x2.5x2m

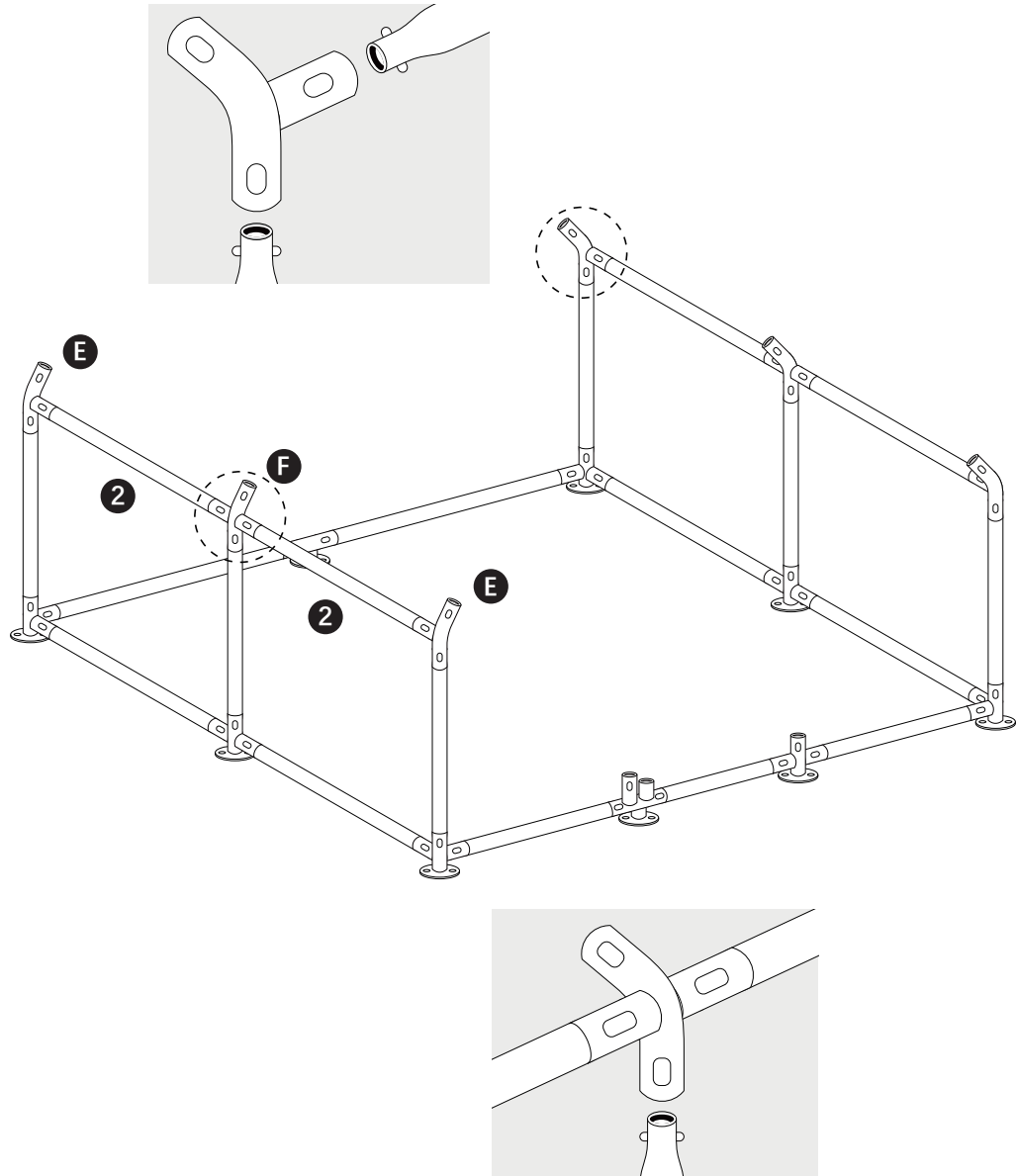
STEP 1



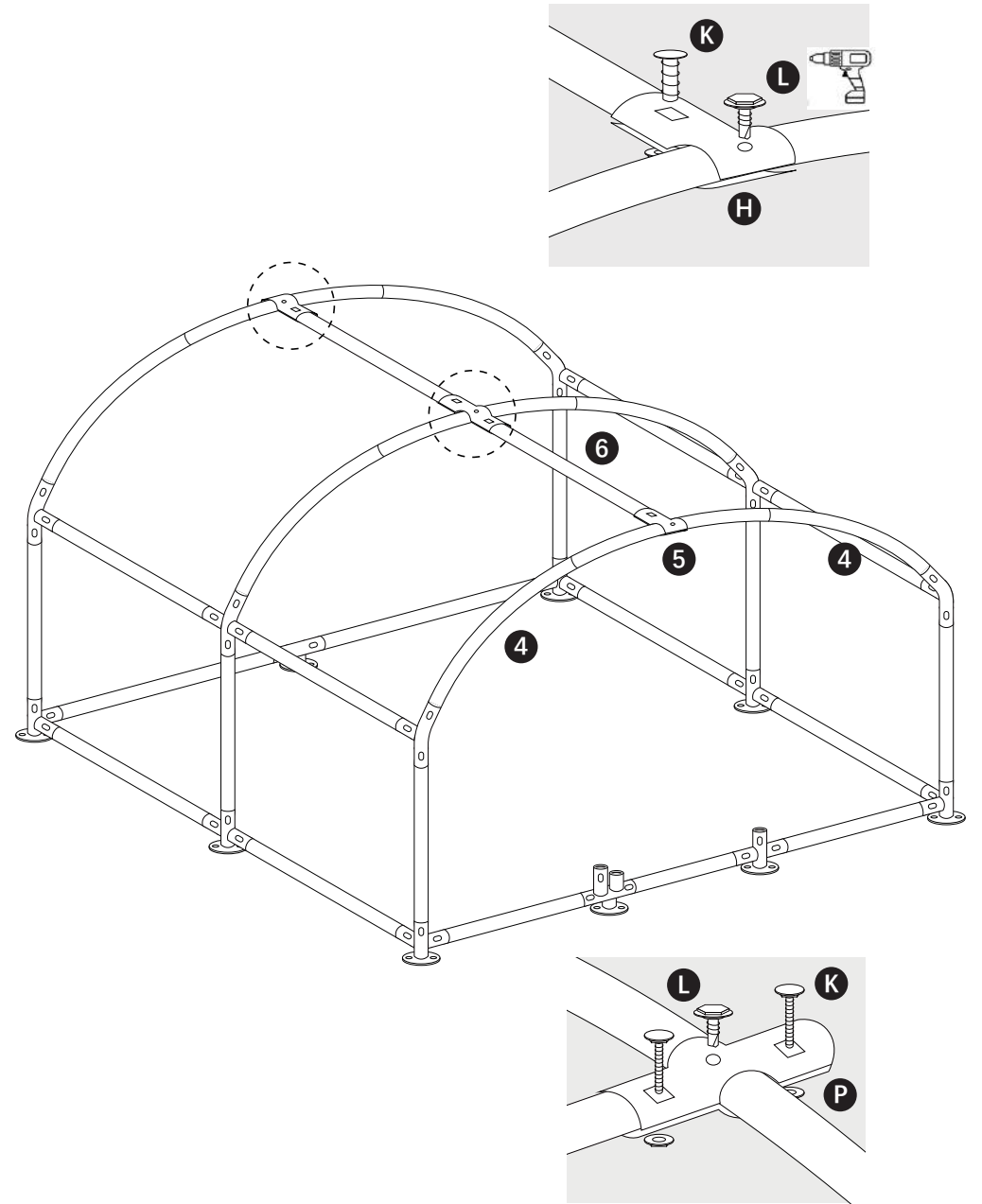
STEP 2



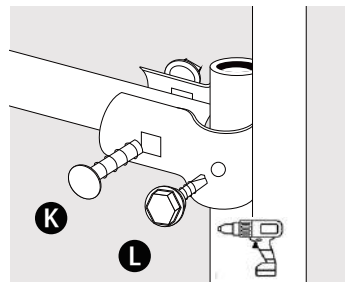
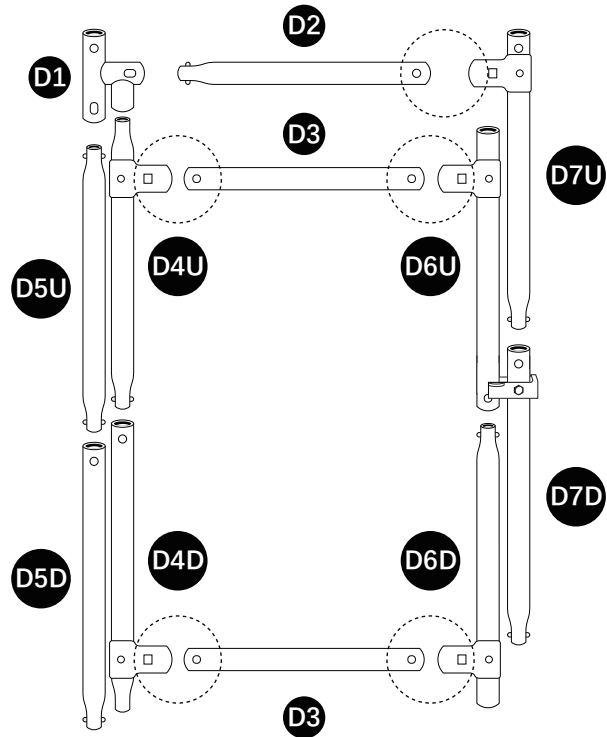
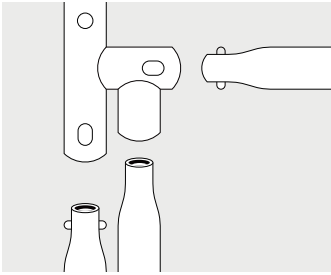
STEP 3



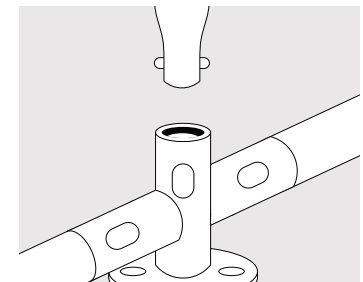
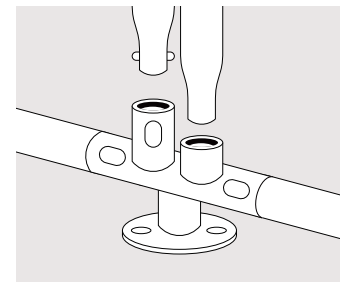
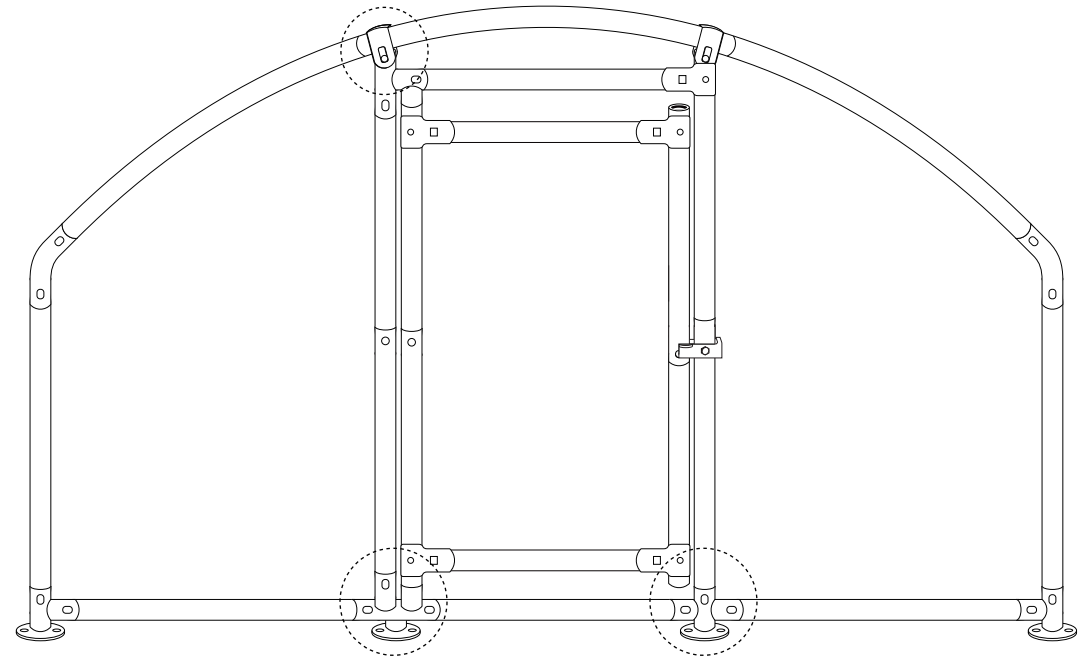
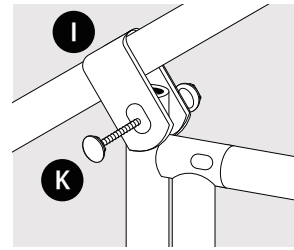
STEP 4



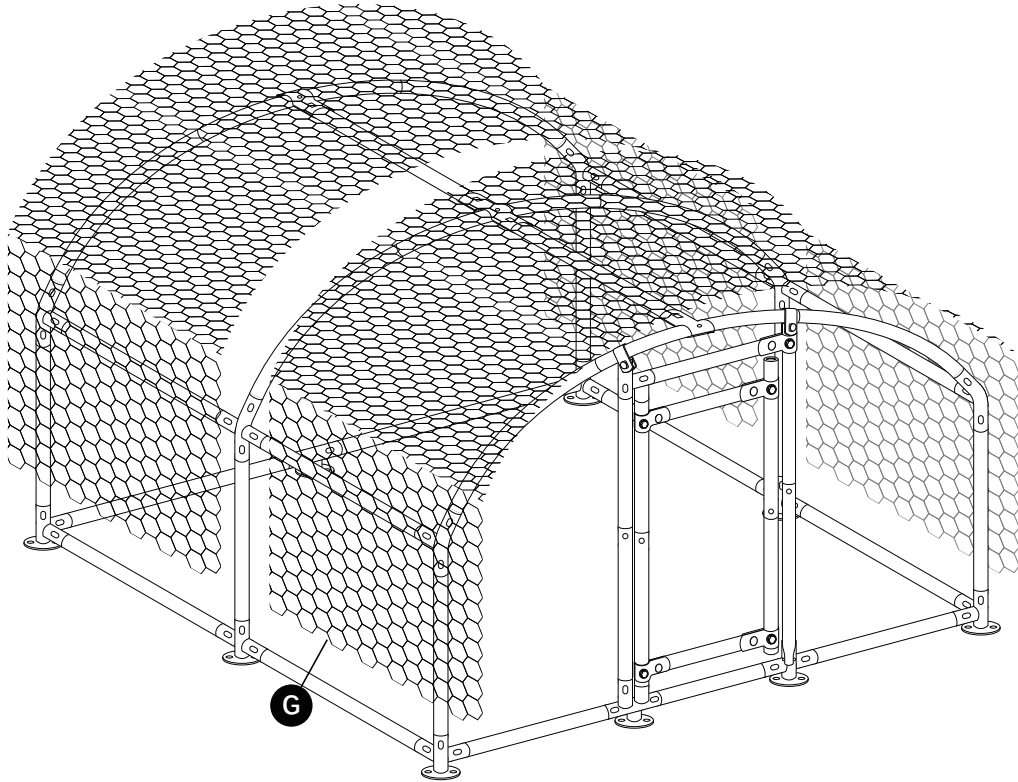
STEP 5



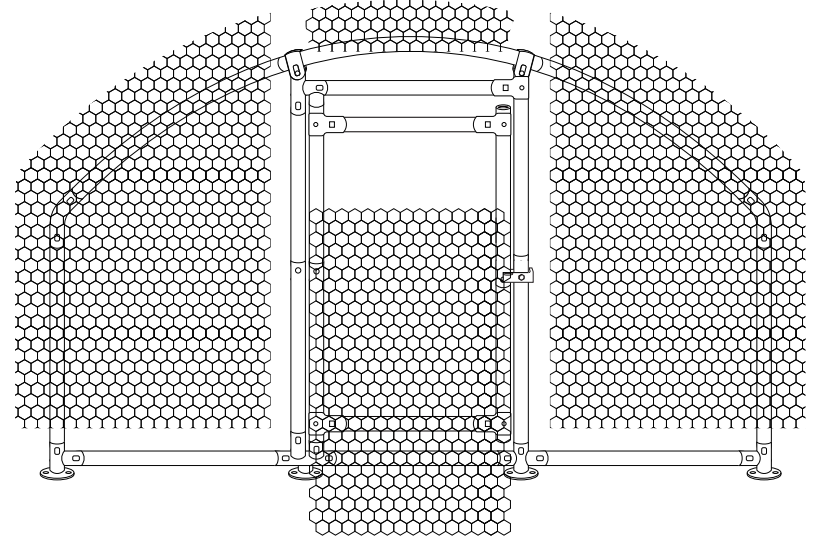
STEP 6



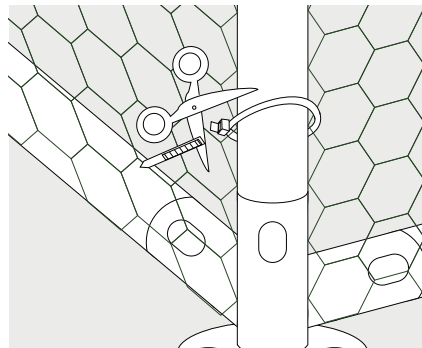
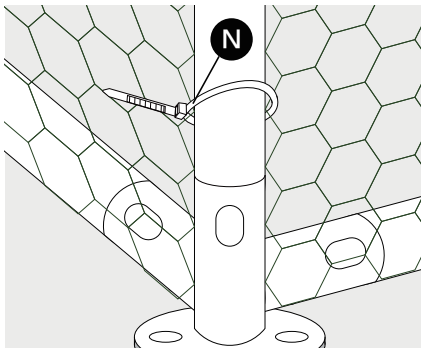
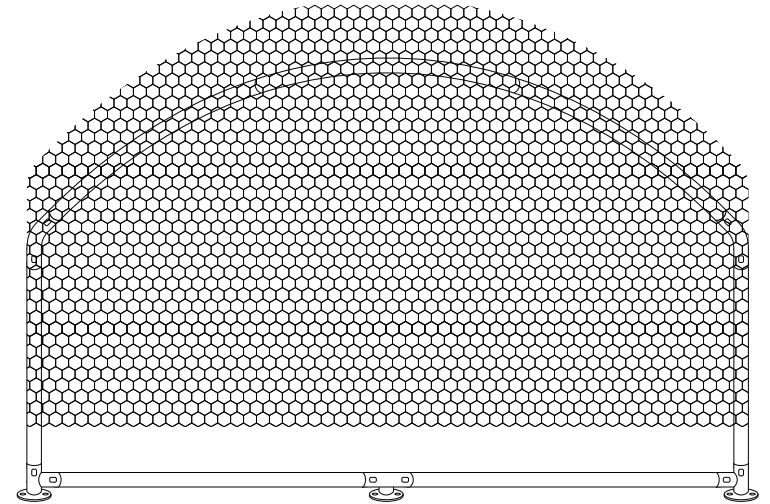
STEP 7



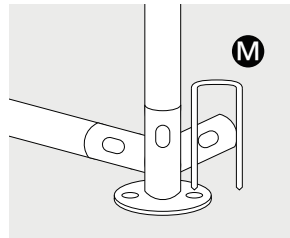
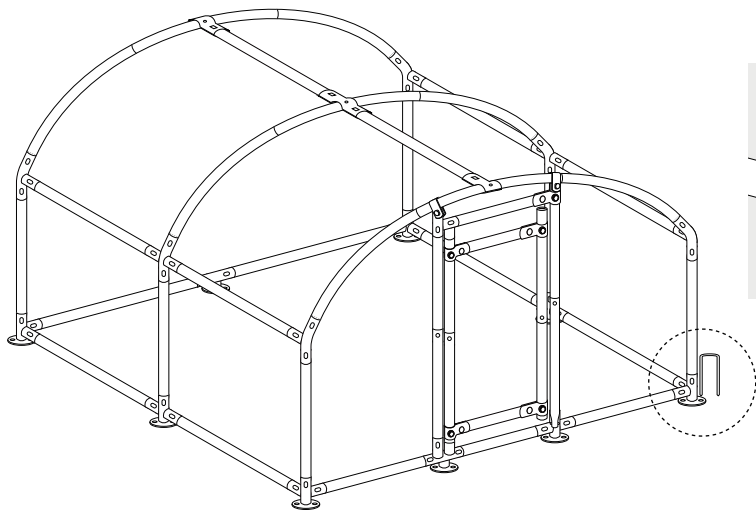
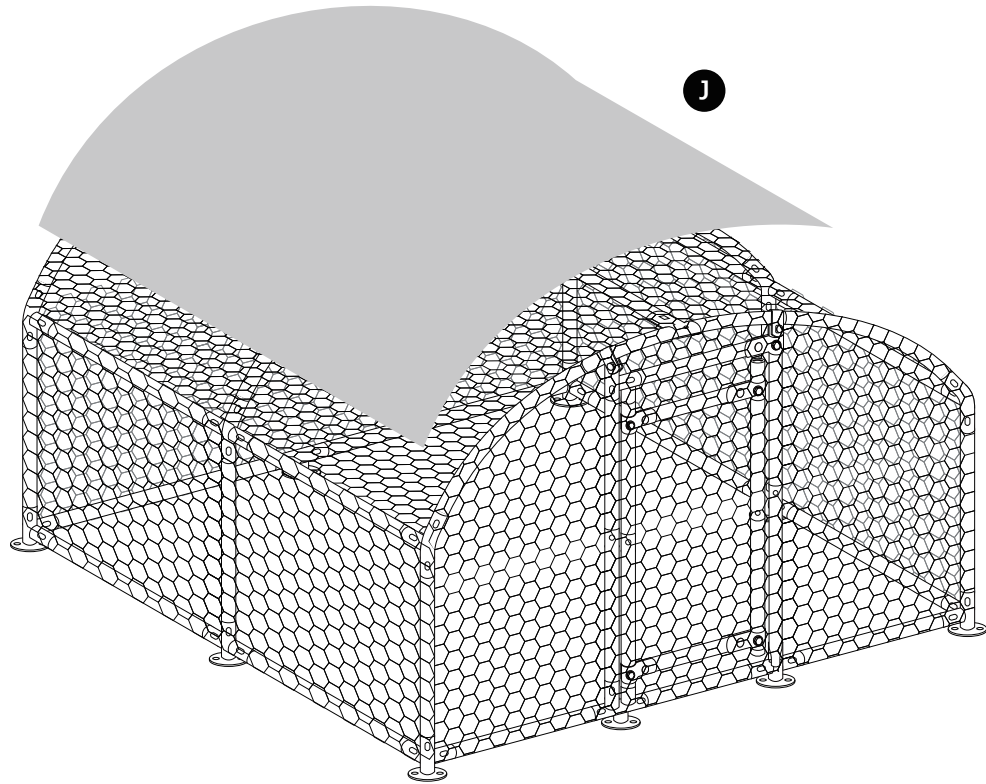
STEP 8



STEP 9

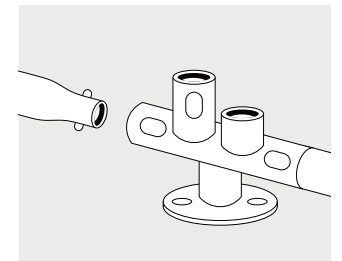
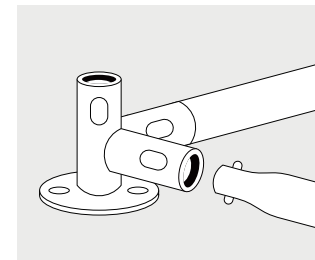
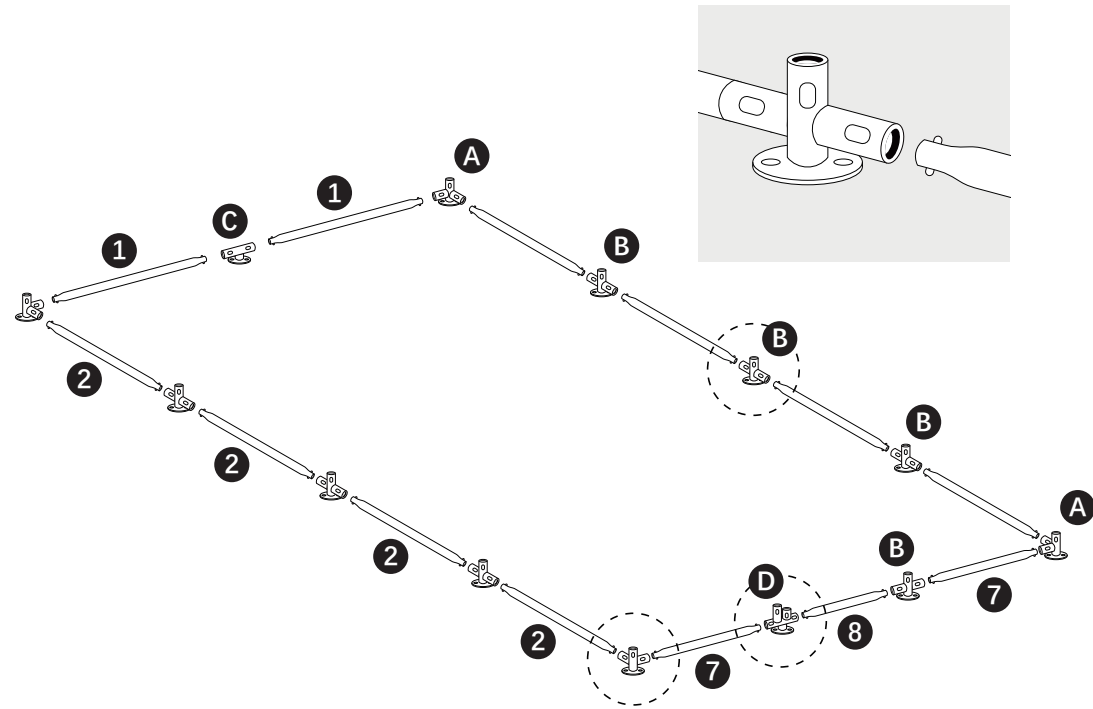


STEP 10

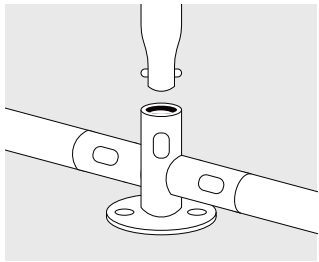
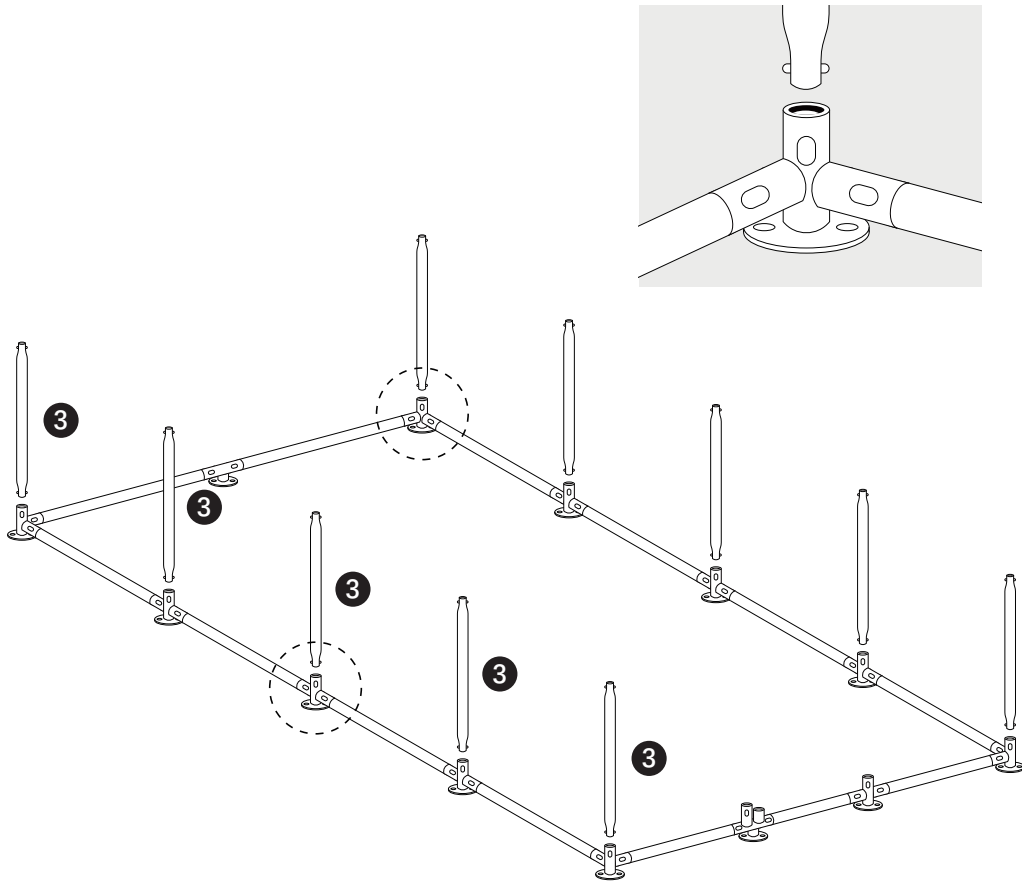


SET UP AS BELOW ILLUSTRATION-3x5x2m

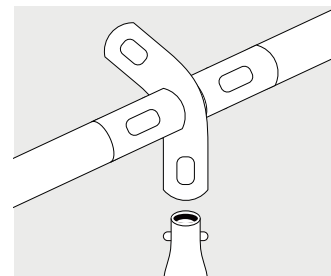
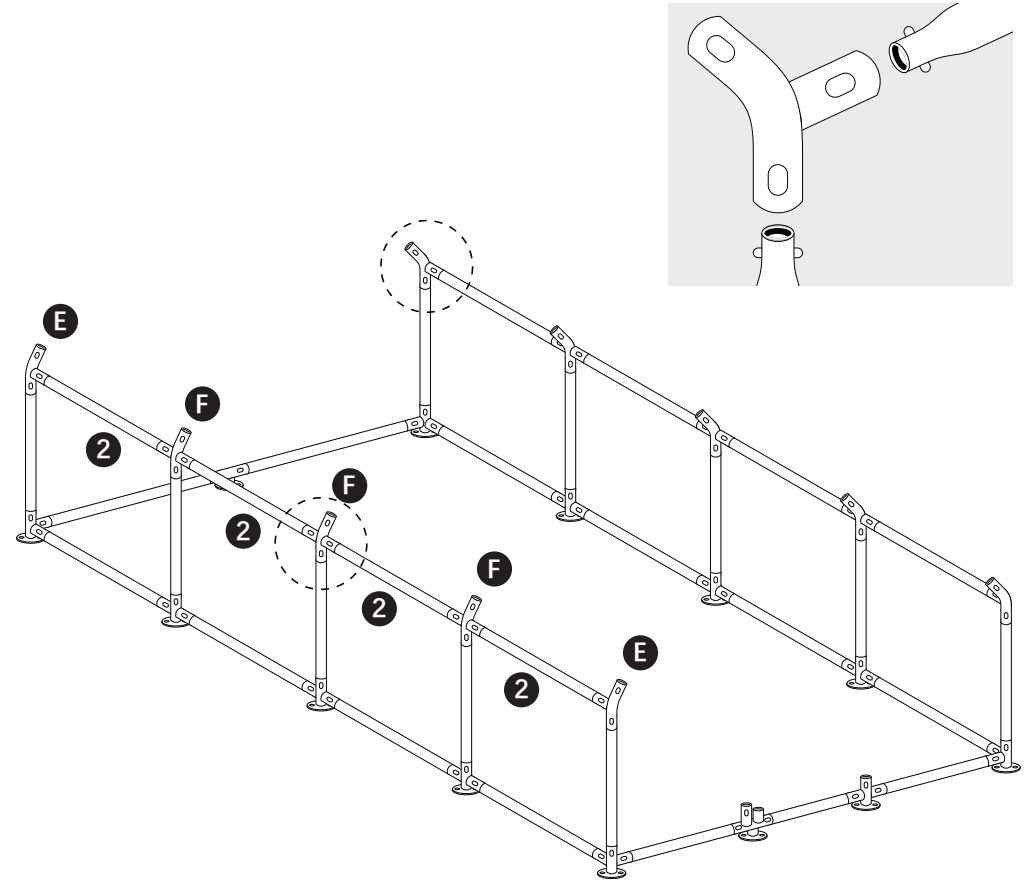
STEP 1



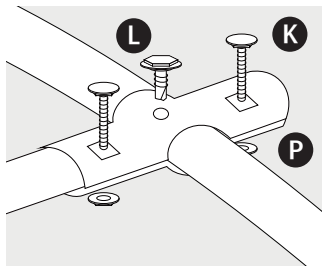
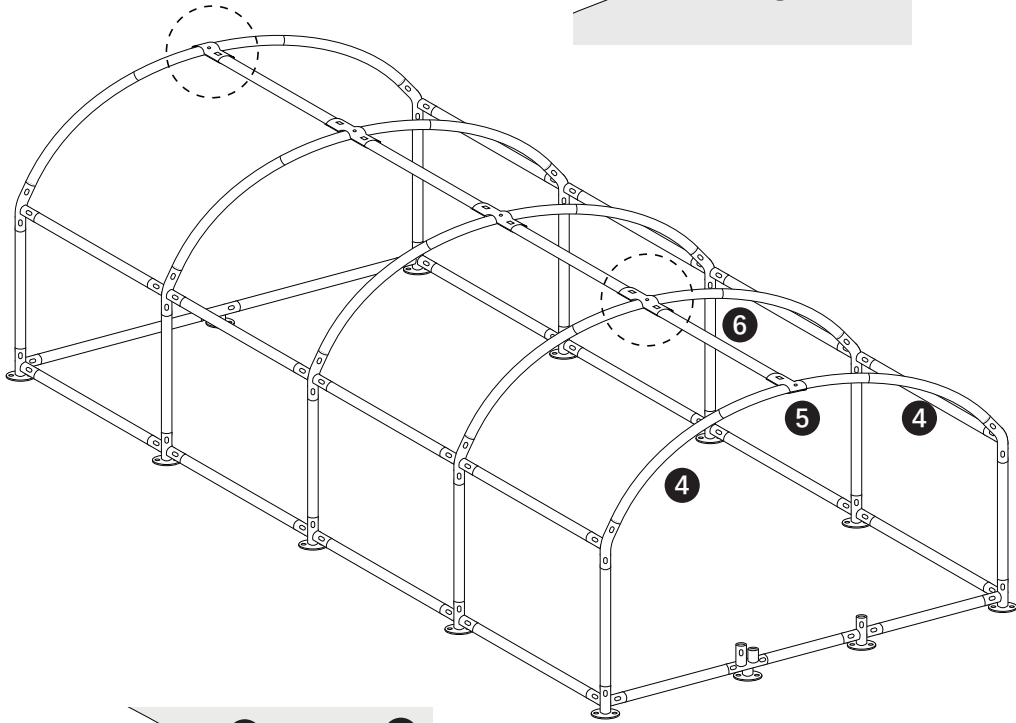
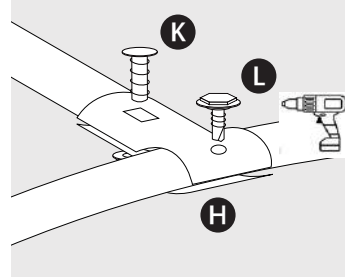
STEP 2



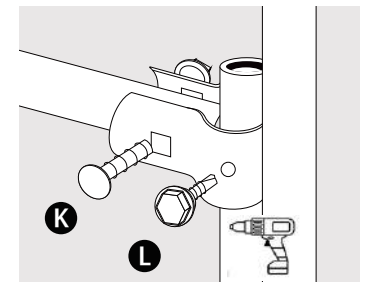
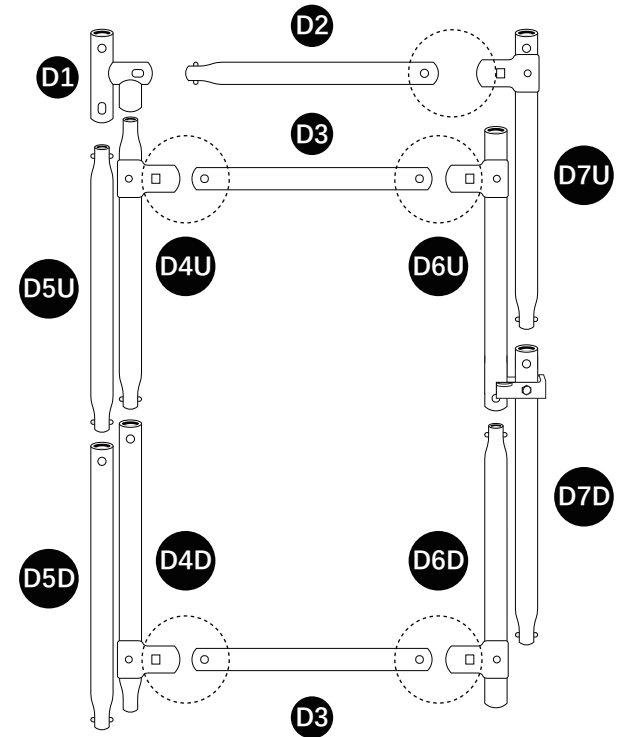
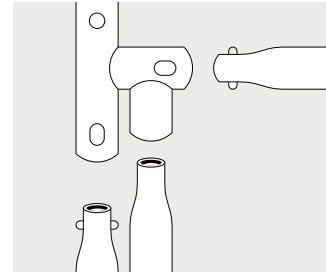
STEP 3



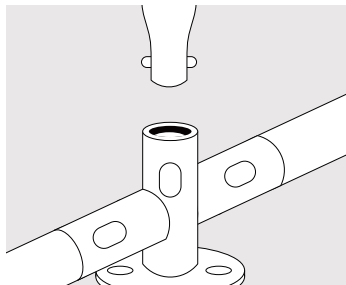
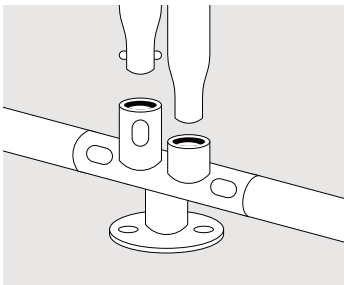
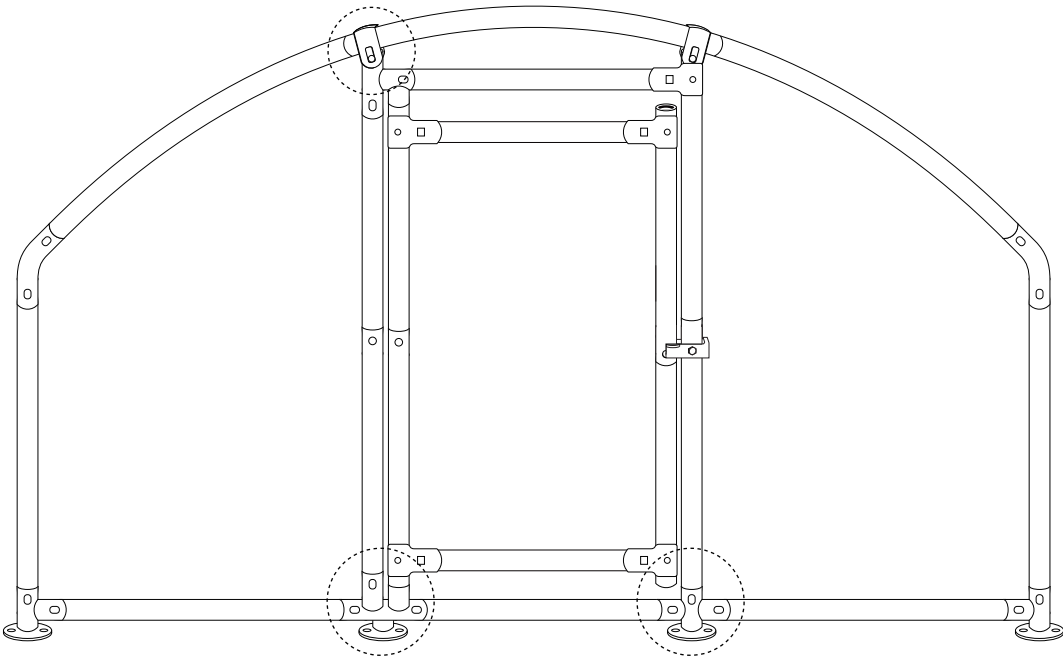
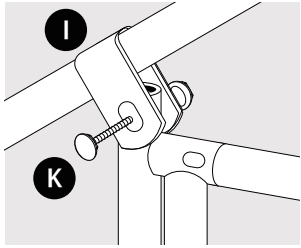
STEP 4



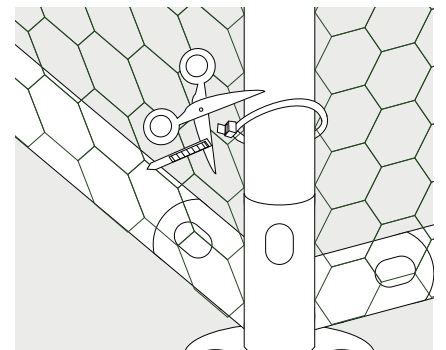
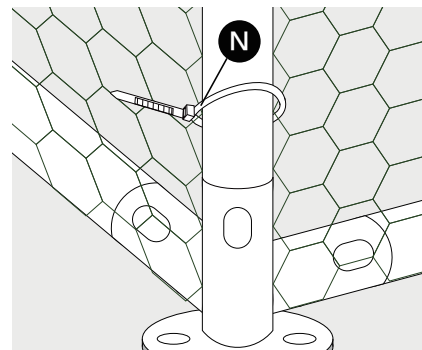
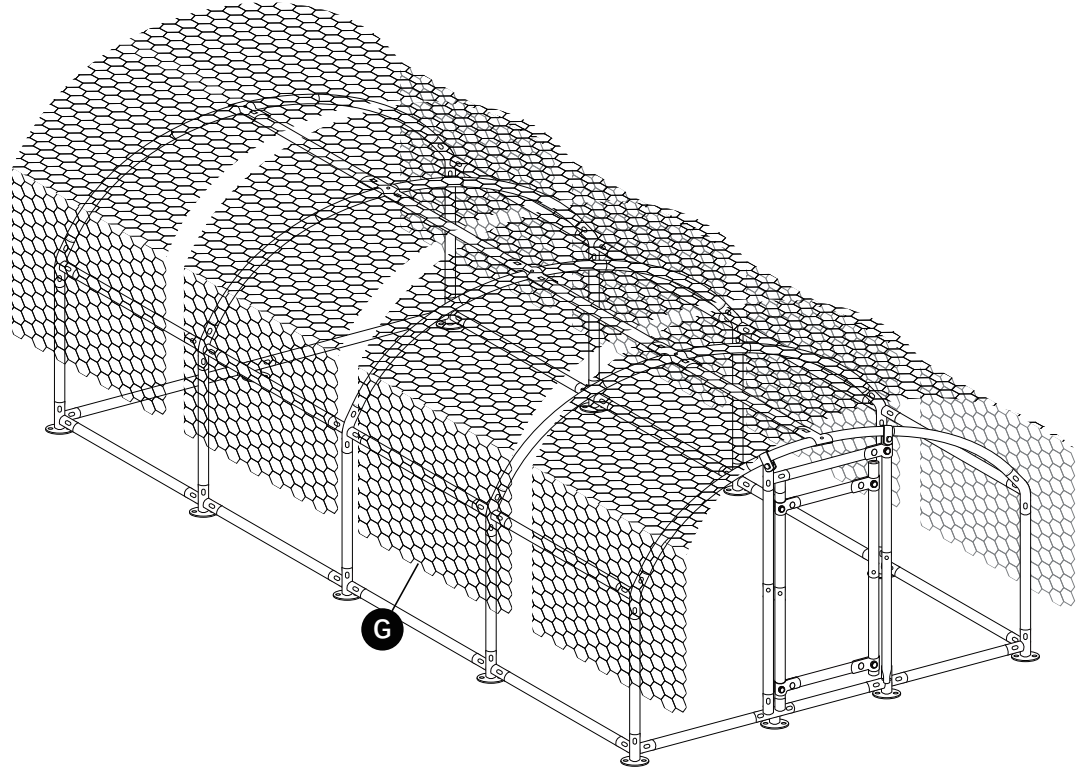
STEP 5



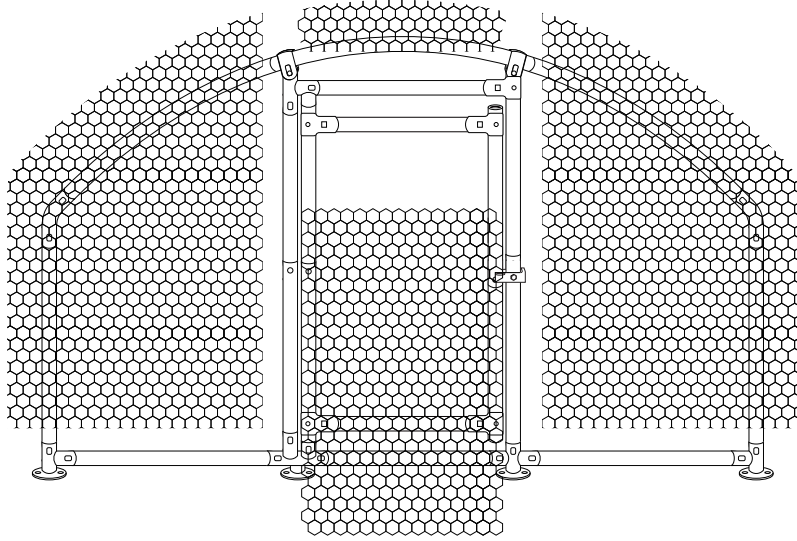
STEP 6



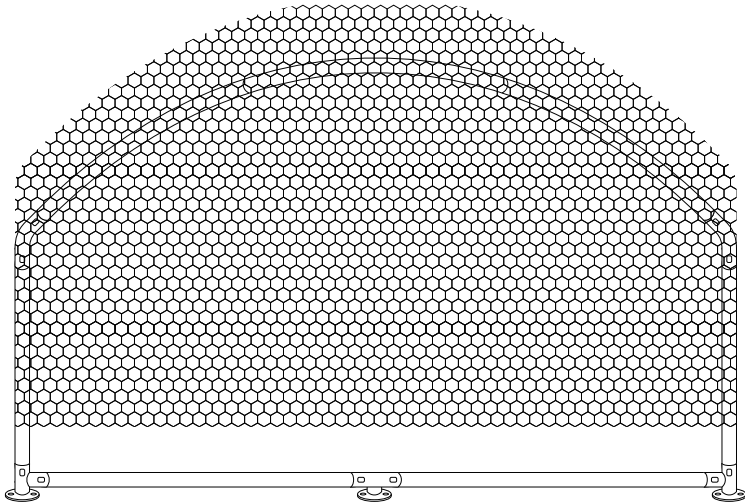
STEP 7



STEP 8



STEP 9



STEP 10

